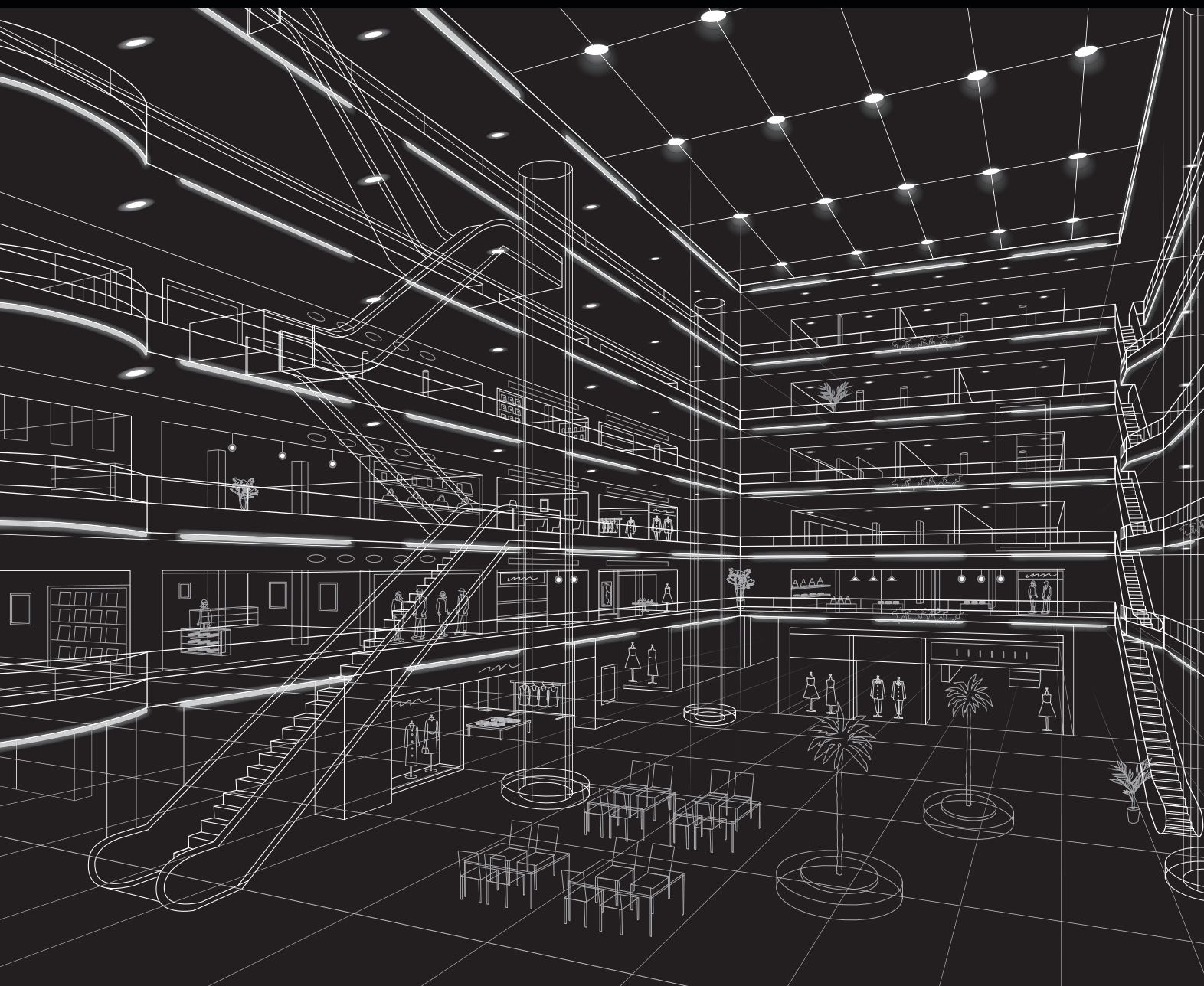


Panasonic

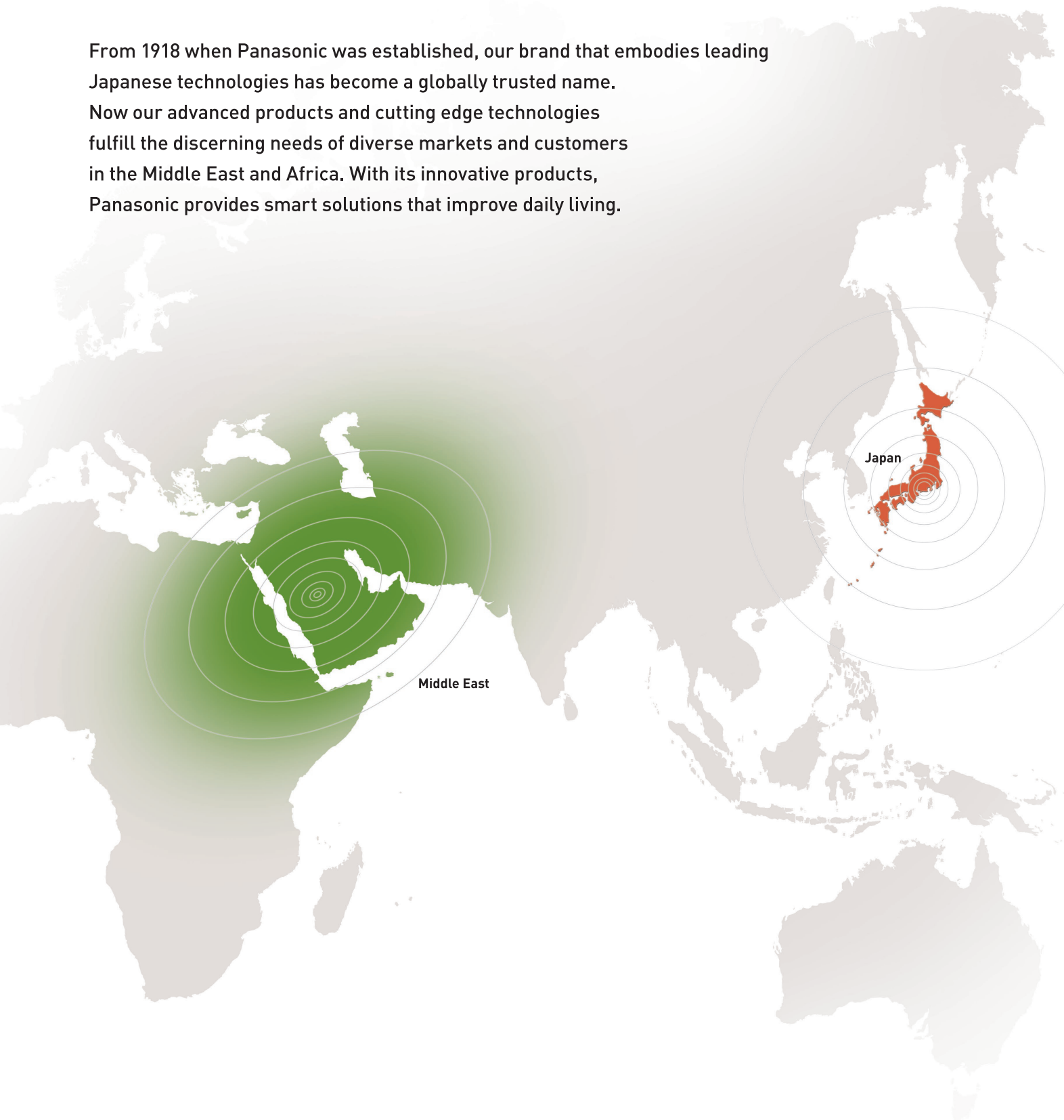
General Lighting Catalogue

LED Lighting Fixtures



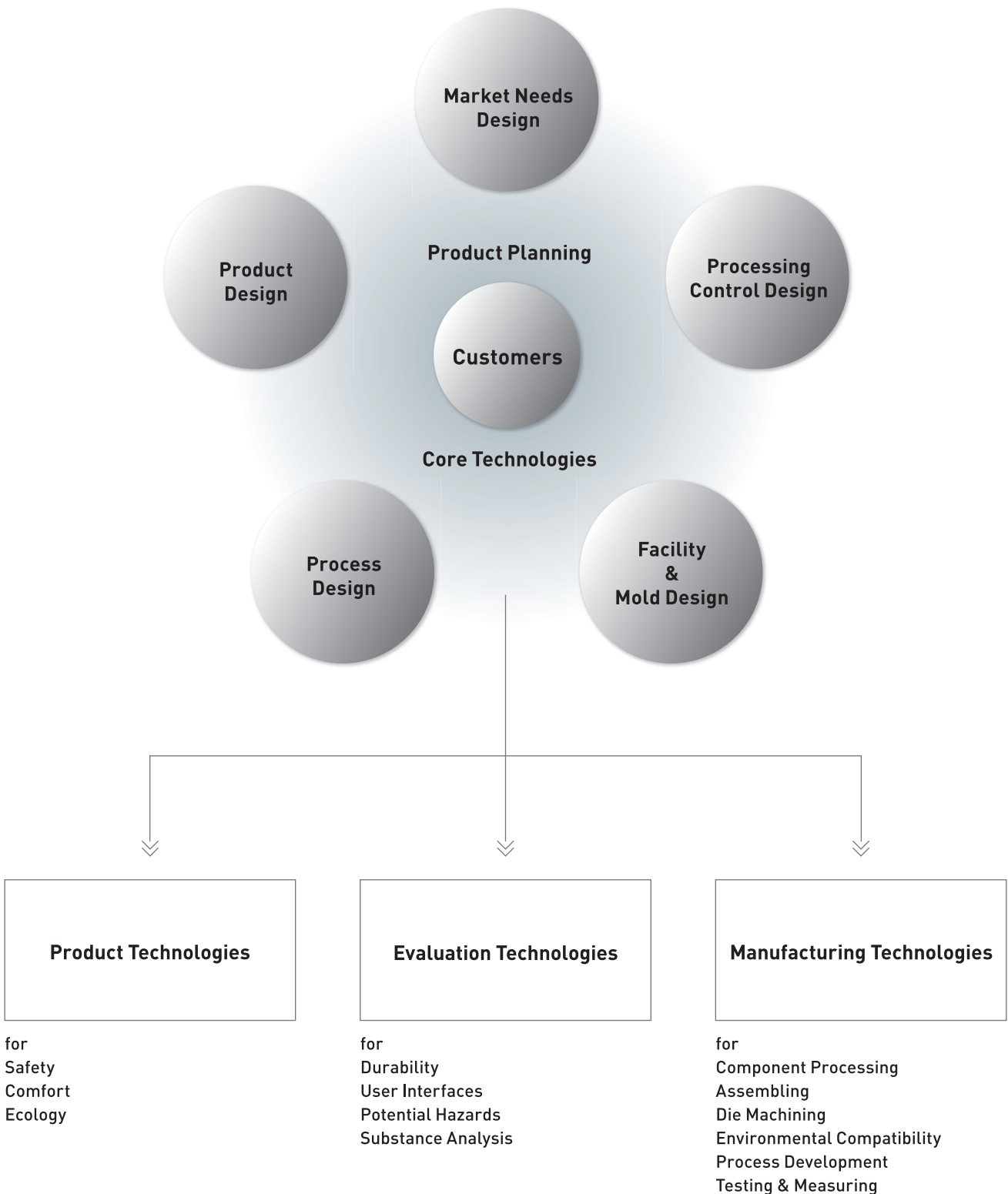
Panasonic is fully committed to serving its Middle East and African customers, responding to their specific requirements with an extensive product range.

From 1918 when Panasonic was established, our brand that embodies leading Japanese technologies has become a globally trusted name. Now our advanced products and cutting edge technologies fulfill the discerning needs of diverse markets and customers in the Middle East and Africa. With its innovative products, Panasonic provides smart solutions that improve daily living.



Panasonic's "Five-Elements" Design Concept

The integrated system that our product development process is based on makes it possible to produce consistently high-quality products. It begins with assessing market needs accurately, goes on to develop advanced basic technologies and extends to product planning, design and production, all the way to sales and after-sales activities.



Company Profile



Eco Solutions Company (Osaka, Japan)



Panasonic Tokyo Shiodome Building (Tokyo, Japan)

Since its founding in 1918, Panasonic has pursued its Basic Management Objective of improving the lives of people around the world and contributing to the progress and development of society through its business activities. People are the focus of this philosophy and we aim to enrich people's lives as we step forward together with our customers.

Panasonic's Eco Solutions Company makes products in several categories. The Energy Systems Business covers everything from wiring accessories and distribution switchboards to photovoltaic cells, storage batteries, and energy management equipment. Our Lighting Business covers the core field of LED lighting, including bulbs, lighting fixtures, and lighting devices, helping to create pleasant spaces while saving energy. The Housing Systems Business supplies a comprehensive range of residential equipment and building materials to create comfortable living spaces. The Indoor Air Quality Business supplies systems to ensure good air quality and reduce environmental loads through water and soil treatment.

We aim to help people around the world create comfortable spaces to live in while reducing environmental impact. Comfort and ecology are the twin focuses of our business vision. Around the globe in the residential field and in commercial and public buildings we provide solutions that utilize the Panasonic Group's wide range of product lines. We are constantly working on solutions needed by our customers to overcome construction issues while helping to bring sustainability to society.

Panasonic is dedicated to making eco-conscious products.

Panasonic has always been manufacturing eco-conscious products minimizing chemical substances harmful to humans and the environment.

We at Panasonic strive to contribute to a green environment.

We contribute through : ★ Lead free welding ★ Cadmium free contact ★ Hexavalent chromium free plating.

Unsurpassed Reliability, Lighting the Way to Comfort.

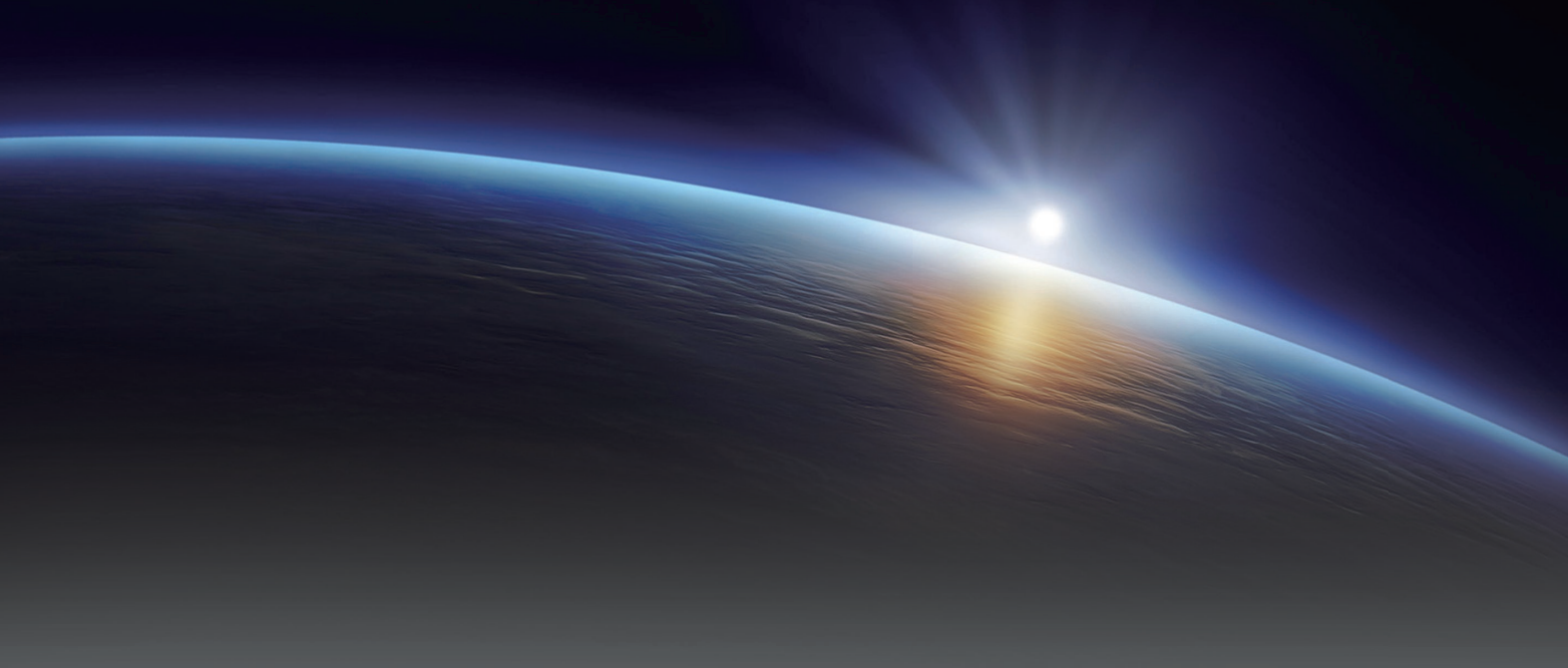
Reliable lighting is the cornerstone of any home or business. It brightens our living rooms and showrooms, it highlights the food we eat and the products we buy, and makes us feel comfortable in our surroundings — at home or out on the town.

Panasonic has nearly a century of experience in the research and development of life-enhancing lighting solutions, advancing not only the perceived quality of light and shadows but also the reliability of the lighting fixtures themselves.

The Panasonic LED is at the forefront of this development. It encompasses the overall Panasonic approach to impeccable quality assurance, and it has already made great strides in demonstrating the importance of stylish, carefully-crafted lighting in our daily lives.

The future of reliable lighting is here; developed by Panasonic and ready to light the way to a comfortable future.

Panasonic LED



INDEX

Down Light



P.06



P.07



P.08



P.09



P.10



P.11



P.12



P.13



P.13



P.14



P.15

LED Panel Light



P.16



P.17

Base Light



P.18



P.18



P.19



P.19



P.20



P.20



P.21



P.21

LED Spot Light/ LED Batten Light



P.22



P.22

AR111/MR16



P.23



P.24

Strip Light



P.25

Surface Fitting



P.26

Down Light

Recess mounting circular LED downlight luminaire with die-cast aluminium housing in white powder coating finish, specially designed heat sink, anti glare diffuser and separate energy efficient electronic driver.



- Input Voltage : AC220-240V, 50/60Hz
- Voltage operating range : 100-240V
- 5W & 7W – LPF
10W – HPF with THD<20%
- High Surge Protection : 2.5KV
- Long life of LEDs 50,000*BH (L70)
- Confirmed to IEC Safety Standard (IEC60598, IEC61347)
- Optics : PMMA lens for better light distribution
- With Driver

Application areas

- Residences
- Offices
- Corridors
- Shops
- Shopping Malls
- Showrooms
- Restaurants
- Hotels

	5W	7W	10W
Cut Out Dimension (mm)	Ø85	Ø95	Ø130
3000K	ADL01R053 300lm	ADL01R073 400lm	ADL01R103 700lm
4000K	ADL01R054 330lm	ADL01R074 450lm	ADL01R104 750lm
6000K	ADL01R056 350lm	ADL01R076 480lm	ADL01R106 800lm
Weight	0.18kg	0.22kg	0.46kg
Dimension			
Photometric data	<p>ADL01R056</p>	<p>ADL01R076</p>	<p>ADL01R106</p>

*Condition Apply

Down Light

Recess mounting circular LED downlight luminaire with die-cast aluminium housing in white powder coating finish, specially designed heat sink, anti glare diffuser and separate energy efficient electronic driver.



- Input Voltage : AC220-240V, 50/60Hz
- Voltage operating range : 100-240V
- 12W & 15W & 20W – HPF with THD<20%
- High Surge Protection : 2.5KV
- Long life of LEDs 50,000*BH (L70)
- Confirmed to IEC Safety Standard (IEC60598, IEC61347)
- Optics : PMMA lens for better light distribution
- With Driver

Application areas

- Residences
- Offices
- Corridors
- Shops
- Shopping Malls
- Showrooms
- Restaurants
- Hotels

	12W	15W	20W
Cut Out Dimension (mm)	Ø150	Ø175	Ø175
3000K	ADL01R123 800lm	ADL01R153 950lm	ADL01R203 1300lm
4000K	ADL01R124 850lm	ADL01R154 1000lm	ADL01R204 1400lm
6000K	ADL01R126 900lm	ADL01R156 1100lm	ADL01R206 1500lm
Weight	0.53kg	0.60kg	0.62kg
Dimension			
Photometric data			

*Condition Apply

Down Light

Recess mounting circular swivel type LED luminaire with die-cast aluminium housing in white electrophoresis finish, specially designed heat sink and separate energy efficient electronic driver.



- Input Voltage : AC220-240V, 50/60Hz
- Voltage operating range : 80-330V
- LPF
- High Surge Protection : 2.5KV
- Long life of LEDs 50,000*BH (L70)
- Confirmed to IEC Safety Standard (IEC60598, IEC61347)
- Optics : Polycarbonate Diffuser
- With Driver

Application areas

- Residences
- Offices
- Corridors
- Shops
- Shopping Malls
- Showrooms
- Restaurants
- Hotels

	3W	5W
Cut Out Dimension (mm)	Ø70	
3000K	ADL02R033 250lm	ADL02R053 360lm
Weight	0.19kg	
Dimension		
Photometric data	<p>ADL02R033</p>	<p>ADL02R053</p>

*Condition Apply

Down Light

Recess mounting circular LED luminaire with die-cast aluminium housing in white electrophoresis finish, specially designed heat sink and separate energy efficient electronic driver.



- Input Voltage : AC220-240V, 50/60Hz
- Voltage operating range : 80-330V
- LPF
- High Surge Protection : 2.5KV
- Long life of LEDs 50,000*BH (L70)
- Confirmed to IEC Safety Standard (IEC60598, IEC61347)
- Optics : Polycarbonate Diffuser
- With Driver

Application areas

- | | | | |
|----------------|-----------|-------------|--------|
| Residences | Offices | Corridors | Shops |
| Shopping Malls | Showrooms | Restaurants | Hotels |

	3W	5W	7W
Cut Out Dimension (mm)	Ø60		
3000K	ADL03R033 250lm	ADL03R053 360lm	ADL03R073 500lm
6000K	—	—	ADL03R076 550lm
Weight	0.17kg		
Dimension			
Photometric data	<p>ADL03R033</p>	<p>ADL03R053</p>	<p>ADL03R076</p>

*Condition Apply

Down Light

Surface mounting circular LED downlight luminaire with die-cast aluminium housing in white powder coating finish, anti glare diffuser and energy efficient electronic driver.



- Input Voltage : AC220-240V, 50/60Hz
- Voltage operating range : 80-330V
- HPF with THD<30%
- High Surge Protection : 2.5KV
- Long life of LEDs 50,000*BH (L70)
- Confirmed to IEC Safety Standard (IEC60598, IEC61347)
- Optics : Polycarbonate Diffuser

Application areas

- Residences Offices Corridors Staircases
Shops Shopping Malls Showrooms Restaurants

15W	
3000K	ADL04R153 1000lm
4000K	ADL04R154 1050lm
6000K	ADL04R156 1100lm
Weight	0.46kg
Dimension	<p style="text-align: center;">Φ180 35</p>
Photometric data	

*Condition Apply

Down Light

Surface mounting circular LED downlight luminaire with die-cast aluminium housing in white powder coating finish, anti glare diffuser and energy efficient electronic driver.



- Input Voltage : AC220-240V, 50/60Hz
- Voltage operating range : 80-330V
- HPF with THD<30%
- High Surge Protection : 2.5KV
- Long life of LEDs 50,000*BH (L70)
- Confirmed to IEC Safety Standard (IEC60598, IEC61347)
- Optics : Polycarbonate Diffuser

Application areas

- Residences
- Offices
- Corridors
- Staircases
- Shops
- Shopping Malls
- Showrooms
- Restaurants

	20W
3000K	ADL04R203 1350lm
4000K	ADL04R204 1420lm
6000K	ADL04R206 1500lm
Weight	0.78kg
Dimension	
Photometric data	<p>ADL04R206</p>

*Condition Apply

Down Light

Recess mounting circular LED downlight luminaire with die-cast aluminium housing in white powder coating finish, specially designed heat sink, anti glare diffuser and separate energy efficient electronic driver.



- Input Voltage : AC220-240V, 50/60Hz
- Voltage operating range : 80-330V
- HPF with THD<30%
- High Surge Protection : 2.5KV
- Long life of LEDs 50,000*BH (L70)
- Confirmed to IEC Safety Standard (IEC60598, IEC61347)
- Optics : Polycarbonate Diffuser
- With Driver

Application areas

- Offices
- Corridors
- Shops
- Shopping Malls
- Showrooms
- Restaurants
- Hotels

	25W
Cut Out Dimension (mm)	Ø200
3000K	ADL05R253 1550lm
4000K	ADL05R254 1630lm
6000K	ADL05R256 1700lm
Weight	1.47kg
Dimension	
Photometric data	<p>ADL05R256</p>

*Condition Apply

Down Light

Recess mounting circular LED luminaire with die-cast aluminium housing in white powder coating finish, specially designed heat sink and separate energy efficient electronic driver.



- Input Voltage : AC220-240V, 50/60Hz
- Voltage operating range : 80-330V
- HPF with THD<30%
- High Surge Protection : 2.5KV
- Long life of LEDs 50,000*BH (L70)
- Confirmed to IEC Safety Standard (IEC60598, IEC61347)
- Optics : Polycarbonate Diffuser
- With Driver

Application areas

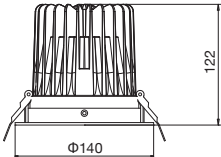
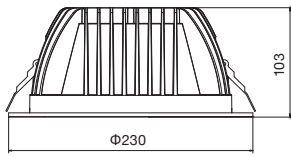
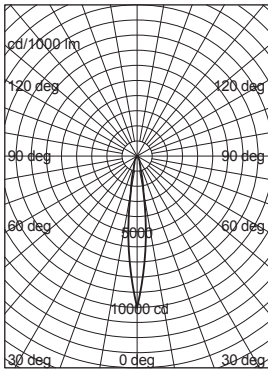
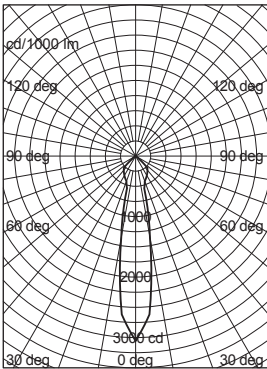
- Offices
- Corridors
- Shops
- Shopping Malls
- Showrooms
- Restaurants
- Hotels



- Input Voltage : AC220-240V, 50/60Hz
- Voltage operating range : 80-330V
- HPF with THD<30%
- High Surge Protection : 2.5KV
- Long life of LEDs 50,000*BH (L70)
- Confirmed to IEC Safety Standard (IEC60598, IEC61347)
- Optics : Polycarbonate Diffuser
- With Driver

Application areas

- Offices
- Corridors
- Shops
- Shopping Malls
- Showrooms
- Restaurants
- Hotels

25W		40W	
Ø130	Cut Out Dimension (mm)	Ø200	
ADL03R253 1780lm	3000K	ADL06R403 2800lm	
ADL03R256 1825lm	6000K	ADL06R406 3000lm	
0.84kg	Weight	1.38kg	
	Dimension		
ADL03R256 	Photometric data	ADL06R406 	

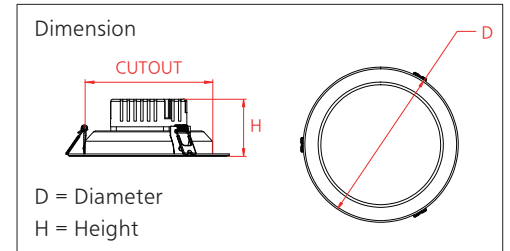
*Condition Apply

Down Light

Recess mounted Circular LED Downlight with white powder coated extruded aluminium die-cast housing equipped with specially designed cast aluminium heat sink and energy efficient electronic driver

Technical Specification

Input Voltage : AC 220-240 V, 50/60Hz
 Driver Type : Constant Current. Integral
 P.F \geq 0.5 For 5W, \geq 0.9 For 10W & 15W
 Voltage operating Range : 80-330V
 High Surge Protection : 2.5 KV
 CRI : Ra \geq 70
 LED Life : 30000 BH
 Optics : Polycarbonate Diffuser
 Accessories : With Driver



Wattages	Product Description	CCT	Lumen Output	Cut out Dimension (in mm)	Dimension (D×H) (in mm)	Product Code	Case lot
5W	LED Down Light	3000K	250lm	ø 75	98 x 52	ALF3130020042	1
	LED Down Light	4000K	265lm	ø 75	98 x 52	ALF3130020043	1
	LED Down Light	6000K	275lm	ø 75	98 x 52	ALF3130020045	1
10W	LED Down Light	3000K	550lm	ø 120	140 x 57	ALF3230020042	1
	LED Down Light	4000K	585lm	ø 120	140 x 57	ALF3230020043	1
	LED Down Light	6000K	600lm	ø 120	140 x 57	ALF3230020045	1
15W	LED Down Light	3000K	830lm	ø 170	190 x 68	ALF3340020042	1
	LED Down Light	4000K	890lm	ø 170	190 x 68	ALF3340020043	1
	LED Down Light	6000K	900lm	ø 170	190 x 68	ALF3340020045	1

Applications: ♦ General shops ♦ Small offices ♦ Reception Areas ♦ Restaurant ♦ Hospital Lobbies & Passages



Down Light

LED Panel Light

Base Light

LED Spot Light/
LED Batten Light

AR111 / MR16

Strip Light

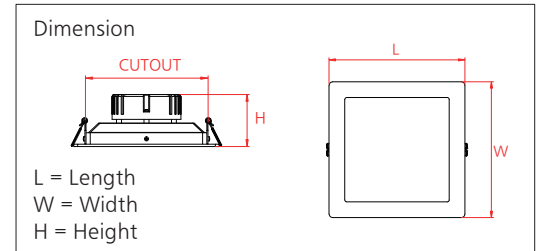
Surface Fitting

Down Light

Technical Specification

Recess mounted square LED Downlight with white powder coated extruded aluminium die-cast housing equipped with specially designed cast aluminium heat sink and energy efficient electronic driver

Input Voltage : AC 220-240 V, 50/60Hz
 Driver Type : Constant Current. Integral
 P.F \geq 0.5 For 5W, \geq 0.9 For 10W & 15W
 Voltage operating Range : 80-330V
 High Surge Protection : 2.5 KV
 CRI : Ra \geq 70
 LED Life : 30000 BH
 Optics : Polycarbonate Diffuser
 Accessories : With Driver



Wattages	Product Description	CCT	Lumen Output	Cut out Dimension (in mm)	Dimension (D×H) (in mm)	Product Code	Case lot
5W	LED Down Light	3000K	250lm	75 x 75	98 x 98 x 52	ALF3130120042	1
	LED Down Light	4000K	265lm	75 x 75	98 x 98 x 52	ALF3130120043	1
	LED Down Light	6000K	275lm	75 x 75	98 x 98 x 52	ALF3130120045	1
10W	LED Down Light	3000K	550lm	120 x 120	140 x 140 x 57	ALF3230120042	1
	LED Down Light	4000K	585lm	120 x 120	140 x 140 x 57	ALF3230120043	1
	LED Down Light	6000K	600lm	120 x 120	140 x 140 x 57	ALF3230120045	1
15W	LED Down Light	3000K	830lm	170 x 170	190 x 190 x 68	ALF3340120042	1
	LED Down Light	4000K	890lm	170 x 170	190 x 190 x 68	ALF3340120043	1
	LED Down Light	6000K	900lm	170 x 170	190 x 190 x 68	ALF3340120045	1

Applications: ♦ General shops ♦ Small offices ♦ Reception Areas ♦ Restaurant ♦ Hospital Lobbies & Passages

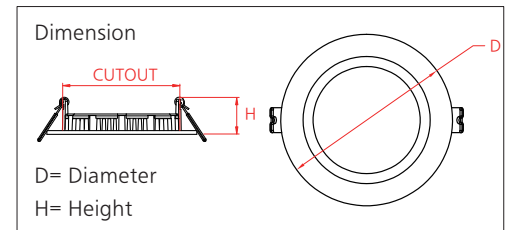


LED Panel Light

Recess mounted Slim circular type LED panel in white finish with anti-glare diffuser and separated energy efficient electronic driver.

Technical Specification

Input Voltage : AC 220-240 V, 50/60Hz
 Driver Type : Constant Current. Non-Integral
 P.F ≥ 0.5 For 7W, ≥ 0.9 For 15W & 20W
 Voltage operating Range : 80-330V
 High Surge Protection : 2.5 KV
 CRI : Ra ≥ 70
 LED Life : 30000 BH
 Optics : Polycarbonate Diffuser
 Accessories : With Driver



Wattages	Product Description	CCT	Lumen Output	Cut out Dimension (in mm)	Dimension (D×H) (in mm)	Product Code	Case lot
7W	LED Panel Light	3000K	485lm	∅ 105	120 x 28	ALF1130020042	1
	LED Panel Light	4000K	515lm	∅ 105	120 x 28	ALF1130020043	1
	LED Panel Light	6000K	525lm	∅ 105	120 x 28	ALF1130020045	1
15W	LED Panel Light	3000K	1035lm	∅ 150	170 x 28	ALF1340020042	1
	LED Panel Light	4000K	1095lm	∅ 150	170 x 28	ALF1340020043	1
	LED Panel Light	6000K	1125lm	∅ 150	170 x 28	ALF1340020045	1
20W	LED Panel Light	3000K	1380lm	∅ 205	220 x 28	ALF1450020042	1
	LED Panel Light	4000K	1465lm	∅ 205	220 x 28	ALF1450020043	1
	LED Panel Light	6000K	1500lm	∅ 205	220 x 28	ALF1450020045	1

Applications: ♦ General shops ♦ Small offices ♦ Reception Areas ♦ Restaurant ♦ Hospital Lobbies & Passages



Down Light

LED Panel Light

Base Light

LED Spot Light/
LED Batten Light

AR111 / MR16

Strip Light

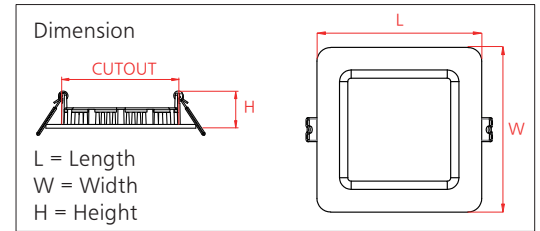
Surface Fitting

LED Panel Light

Technical Specification

Recess mounted Slim square type LED panel in white finish with anti-glare diffuser and separated energy efficient electronic driver.

Input Voltage : AC 220-240 V, 50/60Hz
 Driver Type : Constant Current. Non-Integral
 P.F ≥ 0.5 For 7W, ≥ 0.9 For 15W & 20W
 Voltage operating Range : 80-330V
 High Surge Protection : 2.5 KV
 CRI : Ra ≥ 70 ,
 LED Life : 30000 BH
 Optics : Polycarbonate Diffuser
 Accessories : With Driver



Wattages	Product Description	CCT	Lumen Output	Cut out Dimension (in mm)	Dimension (LxWxH) (in mm)	Product Code	Case lot
7W	LED Panel Light	3000K	485lm	105 x 105	120 x 120 x 28	ALF1130120042	1
	LED Panel Light	4000K	515lm	105 x 105	120 x 120 x 28	ALF1130120043	1
	LED Panel Light	6000K	525lm	105 x 105	120 x 120 x 28	ALF1130120045	1
15W	LED Panel Light	3000K	1035lm	150 x 150	170 x 170 x 28	ALF1340120042	1
	LED Panel Light	4000K	1095lm	150 x 150	170 x 170 x 28	ALF1340120043	1
	LED Panel Light	6000K	1125lm	150 x 150	170 x 170 x 28	ALF1340120045	1
20W	LED Panel Light	3000K	1380lm	205 x 205	220 x 220 x 28	ALF1450120042	1
	LED Panel Light	4000K	1465lm	205 x 205	220 x 220 x 28	ALF1450120043	1
	LED Panel Light	6000K	1500lm	205 x 205	220 x 220 x 28	ALF1450120045	1

Applications: ♦ General shops ♦ Small offices ♦ Reception Areas ♦ Restaurant ♦ Hospital Lobbies & Passages



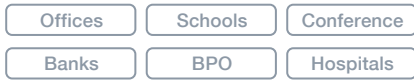
Base Light

Ultra slim edge lit type LED panel luminaire with extruded aluminium housing, anti glare diffuser and separate energy efficient electronic driver.



- Input Voltage : AC220-240V, 50/60Hz
- Voltage operating range : 100-240V
- HPF with THD<20%
- High Surge Protection : 2.5KV
- Long life of LEDs 50,000*BH (L70)
- Confirmed to IEC Safety Standard (IEC60598, IEC61347)
- Optics : PS diffuser for better light distribution
- With Driver

Application areas

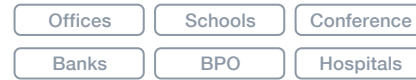



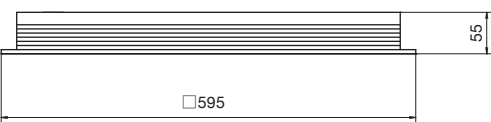
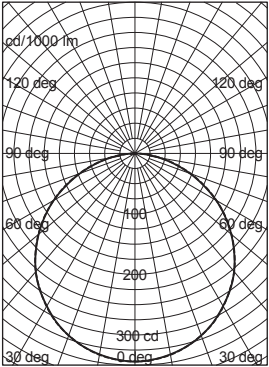
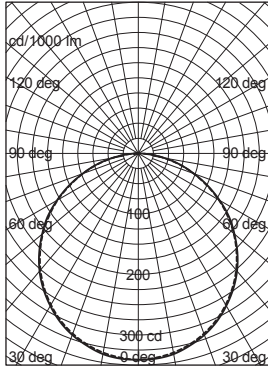
Recess mounting LED luminaire with extruded aluminium housing, anti glare diffuser and separate energy efficient electronic driver.



- Input Voltage : AC220-240V, 50/60Hz
- Voltage operating range : 100-240V
- HPF with THD<20%
- High Surge Protection : 2.5KV
- Long life of LEDs 50,000*BH (L70)
- Confirmed to IEC Safety Standard (IEC60598, IEC61347)
- Optics : PMMA lens for better light distribution
- With Driver

Application areas



40W		40W	
585 × 585	Cut Out Dimension (mm)	588 × 588	
ABL12E404 2800lm	4000K	ABL12B404 3000lm	
ABL12E406 3000lm	6000K	ABL12B406 3200lm	
4.3kg	Weight	3.5kg	
	Dimension		
	Photometric data		

*Condition Apply

Down Light

LED Panel Light

Base Light

LED Spot Light/
LED Batten Light

AR111 / MR16

Strip Light

Surface Fitting

Base Light

Recess mounting LED luminaire with metal housing, anti glare diffuser and separate energy efficient electronic driver.

Ultra slim edge lit type LED panel luminaire with extruded aluminium housing, anti glare diffuser and separate energy efficient electronic driver.

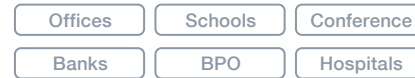
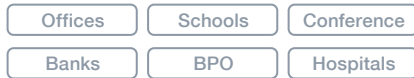


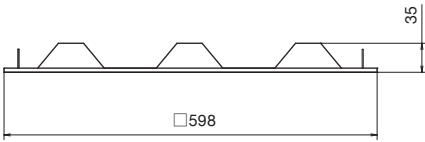
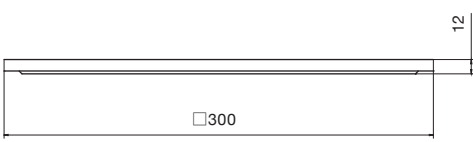
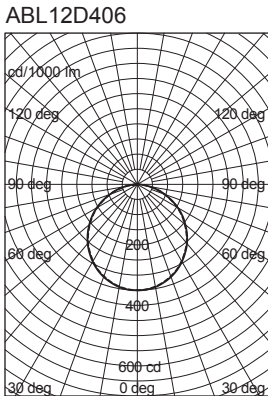
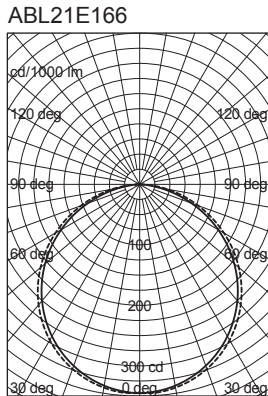
- Input Voltage : AC220-240V, 50/60Hz
- Voltage operating range : 100-240V
- HPF with THD<20%
- High Surge Protection : 2.5KV
- Long life of LEDs 50,000*BH (L70)
- Confirmed to IEC Safety Standard (IEC60598, IEC61347)
- Optics : PS diffuser for better light distribution
- With Driver

- Input Voltage : AC220-240V, 50/60Hz
- Voltage operating range : 80-330V
- HPF with THD<30%
- High Surge Protection : 2.5KV
- Long life of LEDs 50,000*BH (L70)
- Confirmed to IEC Safety Standard (IEC60598, IEC61347)
- Optics : Polycarbonate Diffuser
- With Driver

Application areas

Application areas



40W		16W
588 × 588	Cut Out Dimension (mm)	290 × 290
ABL12D404 2800lm	4000K	ABL21E164 1100lm
ABL12D406 3000lm	6000K	ABL21E166 1200lm
4.0kg	Weight	0.77kg
	Dimension	
	Photometric data	

*Condition Apply

Base Light

Ultra slim edge lit type LED panel luminaire with extruded aluminium housing, anti glare diffuser and separate energy efficient electronic driver.

Recess mounting rectangular LED luminaire with metal housing, anti glare diffuser and separate energy efficient electronic driver.



- Input Voltage : AC220-240V, 50/60Hz
- Voltage operating range : 80-330V
- HPF with THD<30%
- High Surge Protection : 2.5KV
- Long life of LEDs 50,000*BH (L70)
- Confirmed to IEC Safety Standard (IEC60598, IEC61347)
- Optics : Polycarbonate Diffuser
- With Driver

- Input Voltage : AC220-240V, 50/60Hz
- Voltage operating range : 80-330V
- HPF with THD<30%
- High Surge Protection : 2.5KV
- Long life of LEDs 50,000*BH (L70)
- Confirmed to IEC Safety Standard (IEC60598, IEC61347)
- Optics : Polycarbonate Diffuser
- With Driver

Application areas

- Offices Schools Conference
Banks BPO Hospitals

Application areas

- Offices Schools Conference
Banks BPO Hospitals

36W		36W	
1190 × 290	Cut Out Dimension (mm)	1190 × 290	
ABL24E364 2700lm	4000K	ABL24B364 2400lm	
ABL24E366 2800lm	6000K	ABL24B366 2500lm	
3.66kg	Weight	3.3kg	
	Dimension		
	Photometric data		

*Condition Apply

Down Light

LED Panel Light

Base Light

LED Spot Light/
LED Batten Light

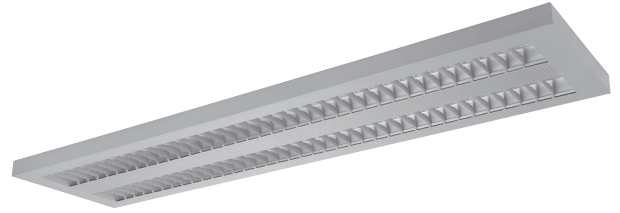
AR111 / MR16

Strip Light

Surface Fitting

Base Light

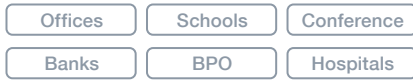
Recess mounting rectangular LED luminaire with metal housing, anti glare metal louvres and separate energy efficient electronic driver.



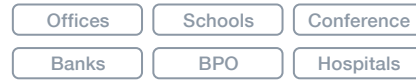
- Input Voltage : AC220-240V, 50/60Hz
- Voltage operating range : 80-330V
- HPF with THD<30%
- High Surge Protection : 2.5KV
- Long life of LEDs 50,000* BH (L70)
- Confirmed to IEC Safety Standard (IEC60598, IEC61347)
- Optics : Polycarbonate Diffuser
- With Driver

- Input Voltage : AC220-240V, 50/60Hz
- Voltage operating range : 80-330V
- HPF with THD<30%
- High Surge Protection : 2.5KV
- Long life of LEDs 50,000* BH (L70)
- Confirmed to IEC Safety Standard (IEC60598, IEC61347)
- Optics : Polycarbonate Diffuser
- With Driver

Application areas



Application areas



36W		36W	
590 × 590	Cut Out Dimension (mm)	1190 × 290	
ABL32D364 2700lm	4000K	ABL34D364 2700lm	
ABL32D366 2900lm	6000K	ABL34D366 2900lm	
2.71kg	Weight	2.76kg	
	Dimension		
ABL32D366 	Photometric data	ABL34D366 	

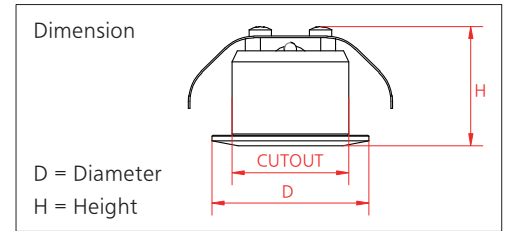
*Condition Apply

LED Spot Light

Recess mounted aesthetically designed 2W LED spot light for low ceiling height applications

Technical Specification

Input Voltage : AC 220-240V, 50/60Hz
 Driver Type : Constant Current. Non-Integral
 P.F \geq 0.5
 Voltage operating Range : 80-330V
 High Surge Protection : 2.5 KV
 CRI : Ra \geq 80
 LED Life : 30000 BH
 Optics : PMMA lens for better light distribution
 Accessories : With Driver



Wattage	Product Description	CCT	Lumen Output	Cut out Dimension (in mm)	Dimension (D×H) (in mm)	Product Code	Case lot
2W	LED Spot Light	2700K	85lm	ø 32	39 x 29	ALF4010040041	50

Applications: ♦ Residences ♦ Shops ♦ Showrooms

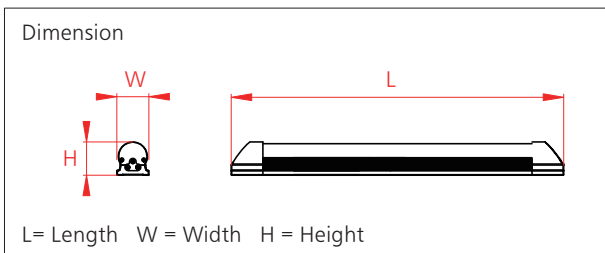
LED Batten Light

Ultra slim decorative LED batten with extruded aluminium heat sink, anti-glare diffuser with energy efficient electronic driver.



Technical Specification

Input Voltage : AC 220-240 V, 50/60Hz
 Driver Type : Constant Current. Integral
 P.F \geq 0.9
 Voltage operating Range : 80-330V
 High Surge Protection : 2.5 KV
 CRI : Ra \geq 70
 LED Life : 30000 BH
 Optics : Polycarbonate Diffuser
 Accessories : Provided with mounting clip & loop in loop out wire



Wattages	Product Description	CCT	Lumen Output	Dimension (L X W X H) (in mm)	Product Code	Case lot
10W	LED Batten	3000K	830lm	325 x 31 x 32	ALF2260220042	1
	LED Batten	6000K	900lm	325 x 31 x 32	ALF2260220045	1
15W	LED Batten	3000K	1240lm	600 x 31 x 32	ALF2370220042	1
	LED Batten	6000K	1350lm	600 x 31 x 32	ALF2370220045	1
20W	LED Batten	3000K	1660lm	1200 x 31 x 32	ALF2480220042	1
	LED Batten	6000K	1800lm	1200 x 31 x 32	ALF2480220045	1

Applications: ♦ General shops ♦ Small offices ♦ Reception Areas ♦ Restaurant ♦ Hospital Lobbies & Passages

Down Light

LED Panel Light

Base Light

LED Spot Light/
LED Batten Light

AR111 / MR16

Strip Light

Surface Fitting

LED AR111

Aesthetically designed LED AR 111 lamp without driver.



- Input Voltage : DC12V
- Long life of LEDs 50,000*BH (L70)
- Optics : PMMA lens for better light distribution

Application areas

- Shops
- Shopping Malls
- Showrooms
- Restaurant
- Hotels

	12W
3000K	AAR010123 650lm
Weight	0.13kg
Dimension	

*Condition Apply

LED MR16

Aesthetically designed MR16 GU5.3 lamp base LED lamp without driver.



- Input Voltage : DC12V
- Long life of LEDs 50,000*BH (L70)
- Optics : PMMA lens for better light distribution

Application areas

- Residences
- Shops
- Shopping Malls
- Showrooms
- Restaurant
- Hotels

	3W
2700K	AMR025032 200lm
Weight	0.04kg
Dimension	

*Condition Apply

Down Light

LED Panel Light

Base Light

LED Spot Light/
LED Batten Light

AR111 / MR16

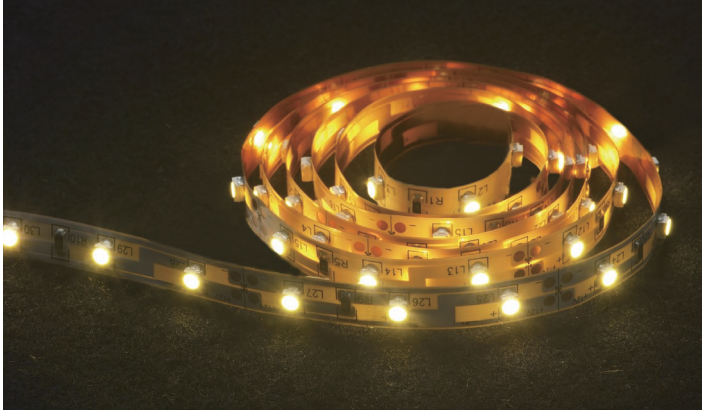
Strip Light

Surface Fitting

Strip Light

Flexible LED strip light in 5mtrs length with 4.5W/mtr power consumption, easy to install, wide viewing angle of 180°, IP20*1 / IP65*2 protection & with separate energy efficient electronic driver.

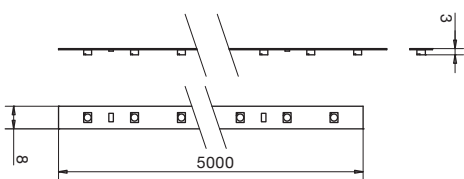
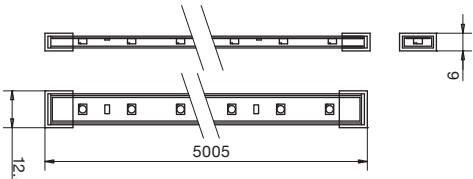
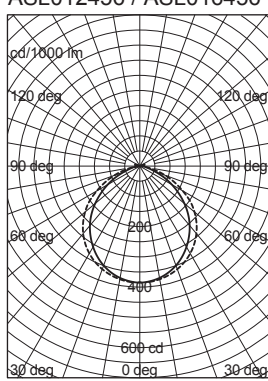
*1 ASL012453 / ASL012454 / ASL012456
*2 ASL016453 / ASL016454 / ASL016456



- Input Voltage : AC220-240V, 50/60Hz
- Voltage operating range : 80-330V
- HPF with THD<30%
- High Surge Protection : 2.5KV
- Long life of LEDs 50,000*BH (L70)
- Confirmed to IEC Safety Standard (IEC60598, IEC61347)
- Optics : Not applicable for IP20, Silica gel for IP65
- With Driver

Application areas

- Cove Lighting
- Cabinet Lighting
- Decorative Lighting

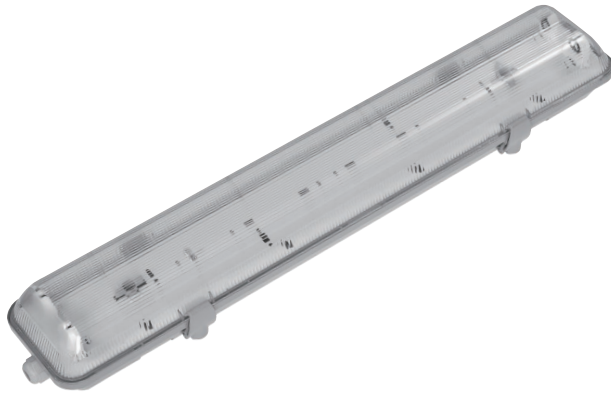
	4.5W/m IP20	4.5W/m IP65
3000K	ASL012453 300lm	ASL016453 280lm
4000K	ASL012454 315lm	ASL016454 295lm
6000K	ASL012456 320lm	ASL016456 300lm
Weight	0.35kg	044kg
Dimension		
Photometric data	<p>ASL012456 / ASL016456</p> 	

*Condition Apply

Surface Fitting

Corrosion proof IP65 luminaire with polycarbonate housing and cover. suitable for LED tubular lamp.

**IP
65**



Suitable for 2 feet / 4 feet LED tube lights

- Input Voltage : AC220-240V, 50/60Hz for LED tube light
- Voltage operating range : 80-330V for LED tube light
- HPF with THD < 20% (for LED tube light)
- High Surge Protection : 2.5KV for LED tube light
- Long life of LEDs 50,000*BH (L70) for LED tube light
- Confirmed to IEC Safety Standard (IEC60598, IEC61347) for LED tube light
- Optics : Polycarbonate Diffuser

Application areas



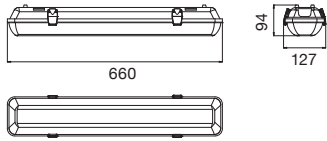
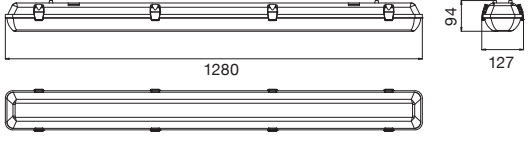
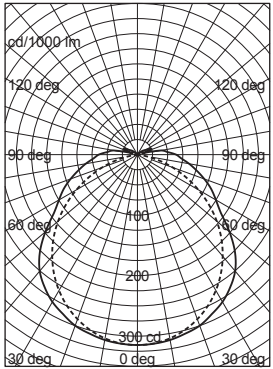
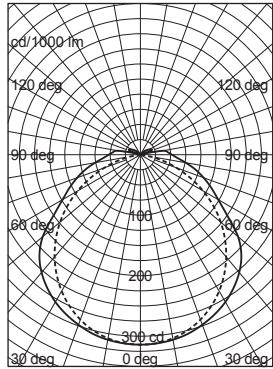
Parking areas

Stations

Foot over bridges

Cold strages

Industries

		
	18W	36W
Product Code	ASF010180	ASF010360
Weight	0.78kg	1.51kg
Dimension		
Photometric data	<p>ASF010180</p> 	<p>ASF010360</p> 
<p>Note : Photometric data based on 2 feet / 4 feet LED tube light</p>		

*Condition Apply

Down Light

LED Panel Light

Base Light

LED Spot Light/
LED Batten Light

AR111 / MR16

Strip Light

Surface Fitting

Panasonic[®]